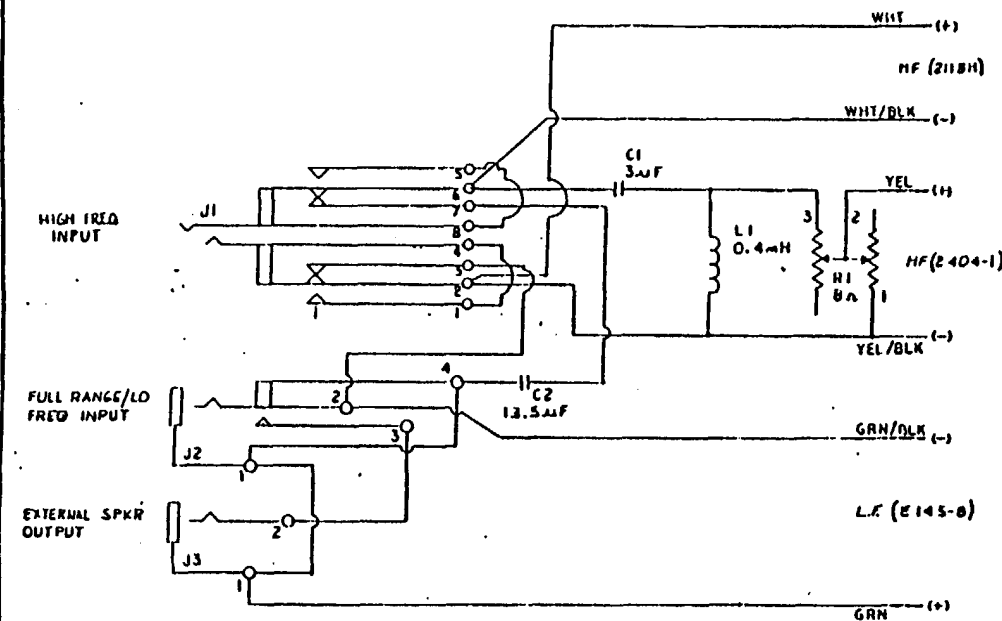


THIS DRAWING AND SPECIFICATIONS ARE THE PROPERTY OF JAMES B. LANSING SOUND INC. THEY ARE ISSUED ON LOAN TO YOU AND SHALL NOT BE REPRODUCED, COPIED OR USED AT THE RISK OF MANUFACTURE OF THIS OR ANY OTHER PRODUCT WITHOUT WRITTEN PERMISSION.

REVISIONS						
CHG	LTR	DESCRIPTION	DRF	CHK	DATE	APPR
S425	A	REL FOR PROD	L.R.	J.P.	1-11-67	L.S. <i>gjt</i>
S45F	B	C2; 13.5 μF WAS 8 μF	L.R.	J.P.	2-14-67	EC <i>gjt</i>
S46F	C	RECONFIGURATION AT J1	S.H.	J.P.	1-14-68	R.E. <i>gjt</i>



- C1-62772--03R0
- C2-62772-13RS
- L1-60623-02
- R1-58450

ITEM	PART NO.	DESCRIPTION	QTY	REMARKS
BILL OF MATERIAL				
<small>UNLESS OTHERWISE SPECIFIED DIMENSIONS ARE IN MILLIMETERS (INCHES) UNLESS OTHERWISE SPECIFIED</small> TOLERANCES: (UNLESS OTHERWISE SPECIFIED)		<small>MATERIALS</small> <small>FINISHES</small> <small>APPLICABLE SPEC'S</small> <small>WARRANTY</small>	<small>DATE</small> <small>REV</small> <small>APP'D</small>	<small>DATE</small> <small>REV</small> <small>APP'D</small>
<small>ALL DIMENSIONS AND FINISHES UNLESS OTHERWISE SPECIFIED</small> <small>DO NOT SCALE DRAWING</small>		<small>DATE</small> <small>REV</small> <small>APP'D</small>	<small>DATE</small> <small>REV</small> <small>APP'D</small>	<small>DATE</small> <small>REV</small> <small>APP'D</small>
<small>UNLESS OTHERWISE SPECIFIED DIMENSIONS ARE IN MILLIMETERS (INCHES) UNLESS OTHERWISE SPECIFIED</small> TOLERANCES: (UNLESS OTHERWISE SPECIFIED)		<small>MATERIALS</small> <small>FINISHES</small> <small>APPLICABLE SPEC'S</small> <small>WARRANTY</small>	<small>DATE</small> <small>REV</small> <small>APP'D</small>	<small>DATE</small> <small>REV</small> <small>APP'D</small>
<small>ALL DIMENSIONS AND FINISHES UNLESS OTHERWISE SPECIFIED</small> <small>DO NOT SCALE DRAWING</small>		<small>DATE</small> <small>REV</small> <small>APP'D</small>	<small>DATE</small> <small>REV</small> <small>APP'D</small>	<small>DATE</small> <small>REV</small> <small>APP'D</small>
<small>UNLESS OTHERWISE SPECIFIED DIMENSIONS ARE IN MILLIMETERS (INCHES) UNLESS OTHERWISE SPECIFIED</small> TOLERANCES: (UNLESS OTHERWISE SPECIFIED)		<small>MATERIALS</small> <small>FINISHES</small> <small>APPLICABLE SPEC'S</small> <small>WARRANTY</small>	<small>DATE</small> <small>REV</small> <small>APP'D</small>	<small>DATE</small> <small>REV</small> <small>APP'D</small>
<small>ALL DIMENSIONS AND FINISHES UNLESS OTHERWISE SPECIFIED</small> <small>DO NOT SCALE DRAWING</small>		<small>DATE</small> <small>REV</small> <small>APP'D</small>	<small>DATE</small> <small>REV</small> <small>APP'D</small>	<small>DATE</small> <small>REV</small> <small>APP'D</small>

NOTES: (UNLESS OTHERWISE SPECIFIED)

63350-01